

ACP507 (DMS) Camera Specifications




Applicable Model: MD833H\MD600\MD300

Change History

File Name	ACP507 (DMS) Camera Specifications		
Project	MD833H\MD600\MD300	Creation Date	2025/9/18
Subproject	Accessory Specifications	Total Pages	4
Version	V1.0	Confidential	External Documentation

Copyright and Disclaimer

Copyright © Meitrack Group 2025. All rights reserved.

MEITRACK and  are trademarks that belong to Meitrack Group and its subsidiary.

The user manual may be changed without notice.

Without prior written consent of Meitrack Group, this user manual, or any part thereof, may not be reproduced for any purpose whatsoever, or transmitted in any form, either electronically or mechanically, including photocopying and recording.

Meitrack Group shall not be liable for direct, indirect, special, incidental, or consequential damages (including but not limited to economic losses, personal injuries, and loss of assets and property) caused by the use, inability, or illegality to use the product or documentation.

Documentation Update Records

Version	Date	Modified
1.0	2025-09-18	Initial draft.

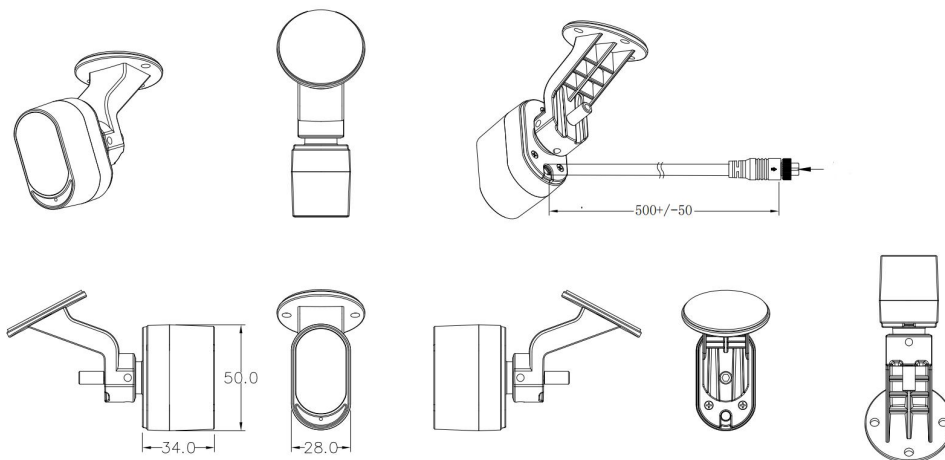
Contents

1 Product Specifications	- 4 -
2 product drawing	- 4 -
3 Camera installation	- 5 -

1 Product Specifications

Item	Specifications
cameras	WDR cameras
Camera Type	DMS Camera
Sensor Type	200W CMOS
Pixel size	3.0um*3.0um
Lens	4E
Focal Length	WDR cameras: 6mm
Aperture	F2.0
Lens Interface Type	M12xP0.5
Field of View Angle	D=65° H=56° V=31°
Image Mode	Black and White
Resolution	1280 x 720P
Dynamic Range	85dB
Audio Input	NA
Output signal	AHD analog high definition
Video format	Default PAL system
Frame rate	25fps
Supply voltage	VDC12V
Current	95 mA
Power consumption	1.14 W
Operating temperature	-25°C - +70°C
Storage temperature	-25°C - +80°C
Aviation wire length	500mm +/- 50mm

2 product drawing



3 Camera installation

Install it on the front windshield using 3M double - sided tape.



If you have any questions, do not hesitate to email us at info@meitrack.com.